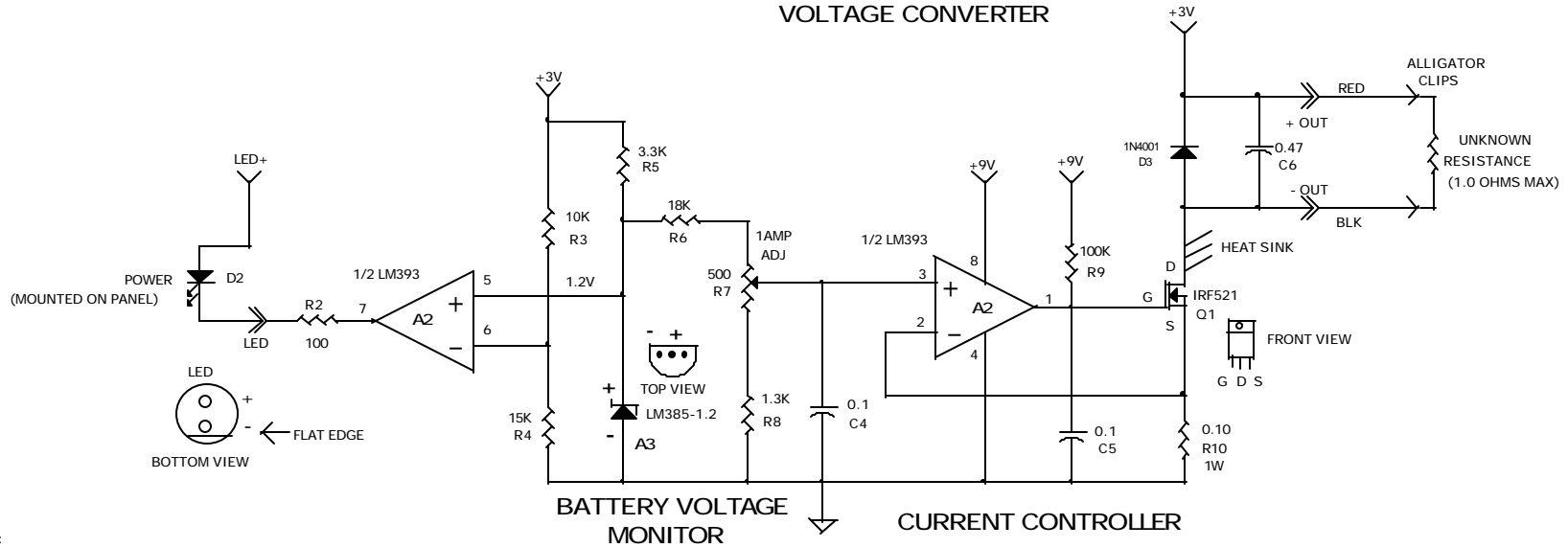


VOLTAGE CONVERTER



NOTE:
 POWER LIGHT WON'T STAY ON IF BATTERY VOLTAGE DROPS BELOW 2V
 DON'T OPERATE UNIT MORE THAN 10 SEC AT ONE TIME

DRAWN BY DAVE JOHNSON

1 AMP CURRENT INJECTOR

DAVID JOHNSON AND ASSOCIATES		
1 AMP CURRENT INJECTOR CIRCUIT		
Size B	Document Number INJECT01.DSN	Rev A
Date: Sunday, June 04, 2000	Sheet 1	of 1